

P4B-153C
 P4B-1530RB

P4B-153SS



Single Handle Pullout Kitchen Faucet

Product Spec Sheet



FEATURES & BENEFITS

- This Product Contains Less Than 0.25% Weighted Average Lead Content On Wetted Surfaces
- Metal Lever Handle
- Ceramic Cartridge
- 1 Or 3 Hole Installation
- Optional Deck Plate Included
- Max Flow Rate 1.5 gpm (5.7 L/min) at 60 psi (ASME A112.18.1M/A112.18.1)

P4B-153C
Chrome Finish

P4B-153SS
Stainless Steel Finish

P4B-1530RB
Oil Rubbed Bronze Finish

APPROVALS:

Meets or Exceeds The Following:

- * ANSI/ASME A112.18.1M/A112.18.1
- * NSF/ANSI 61 - Sec. 9
- * NSF/ANSI 372
- * IAPMO/cUPC
- * CA AB1953



NSF/ANSI 372
NSF/ANSI 61-9



TEL: 855-806-0688

FAX: 845-350-4043

Visit Our Web Site : www.plumb4orce.com

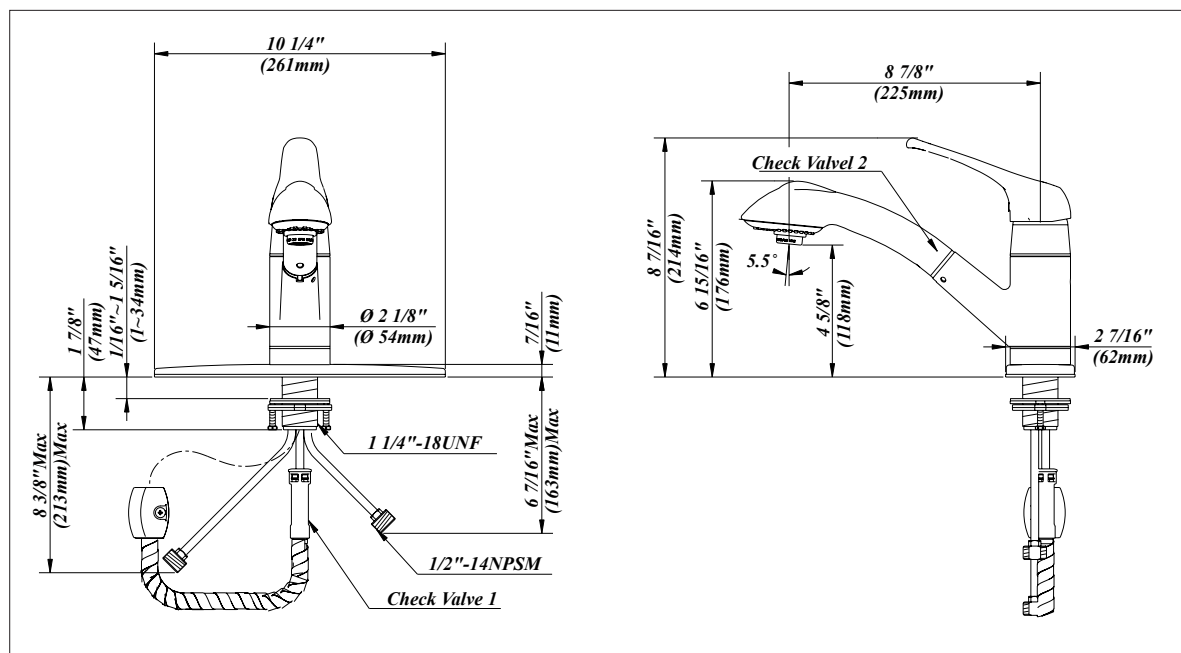
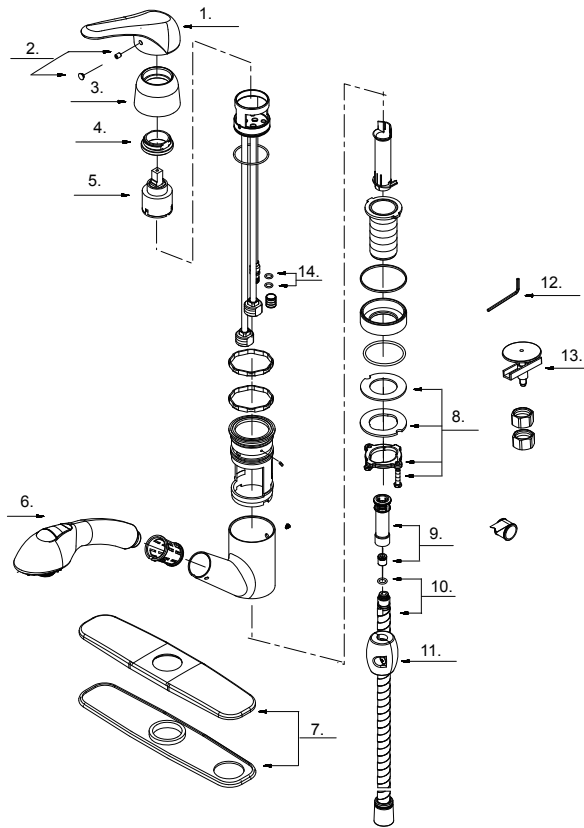
P4B-153C
 P4B-153ORB

P4B-153SS



Single Handle Pullout Kitchen Faucet

No.	Name	Part No.
1	Metal Handle	A069528
2	Index Button-Cold/Hot	A66G053
3	Trim Cap	A103036
4	Locking Nut	A104008
5	Ceramic Disc Cartridge	A507348N
6	Spray Head	A523047N-51
7	Cover Plate & Putty Plate	A667003
8	Mounting Hardware Assembly	A603171
9	Hose Adaptor Assembly	A66G422N
10	Spray Hose	A66D561N
11	Weight	A504718
12	Hex Wrench (H2.5 * 19 mm L * 53 mm L)	A031000NI
13	Sink Hole Cover	A504724
14	O-Ring Set (Φ1/4" ID * Φ3/8" OD)	A668178N



Product Spec Sheet