

P4B-250CWJP
 P4B-260CWJP

P4B-250SSWJP
 P4B-260SSWJP



8" Two Handle Kitchen Faucet



Product Spec Sheet

FEATURES & BENEFITS

- This Product Contains Less Than 0.25% Weighted Average Lead Content On Wetted Surfaces
- Metal Lever Handles
- Washerless Cartridges
- With Side Spray
- Max Flow Rate 1.5 GPM (5.7 L/MIN) At 60 PSI (ASME A112.18.1M/A112.18.1)

APPROVALS:

Meets or Exceeds The Following:

- * ANSI/ASME A112.18.1M/A112.18.1
- * NSF/ANSI 61 - Sec. 9
- * NSF/ANSI 372
- * IAPMO/cUPC
- * CA AB1953

P4B-260CWJP
Chrome Finish

P4B-260SSWJP
Stainless Steel Finish

P4B-250CWJP
Less Side Spray
Chrome Finish

P4B-250SSWJP
Less Side Spray
Stainless Steel Finish



NSF/ANSI 372
NSF/ANSI 61-9



TEL: 855-806-0688

FAX: 845-350-4043

Visit Our Web Site : www.plumb4orce.com

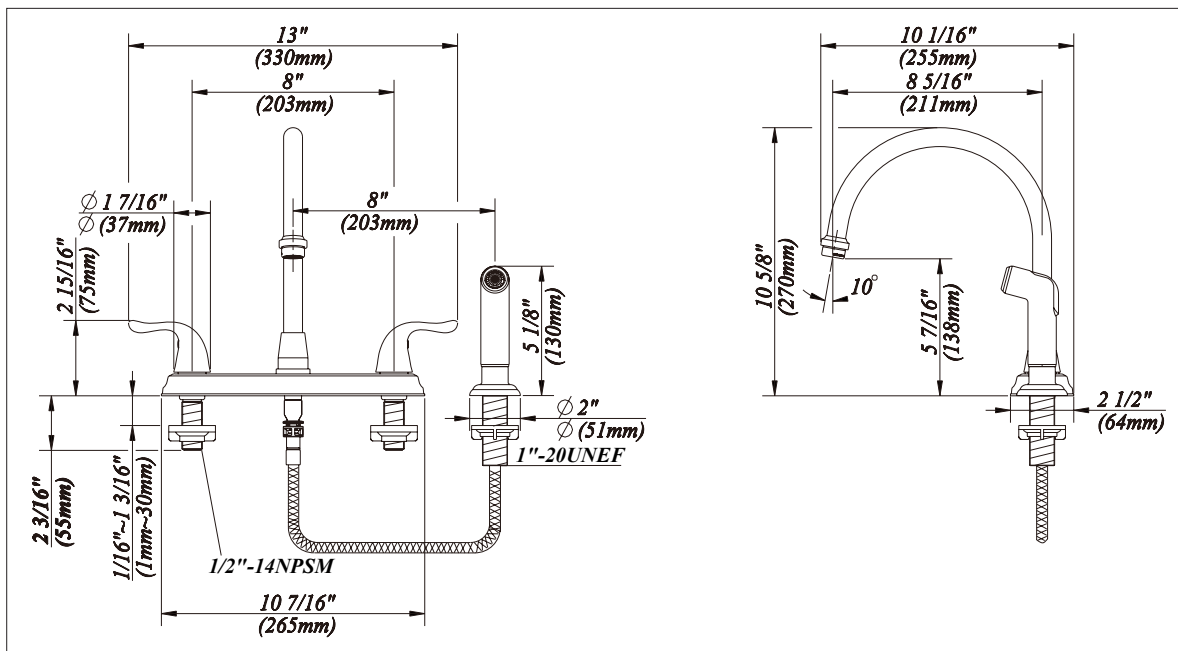
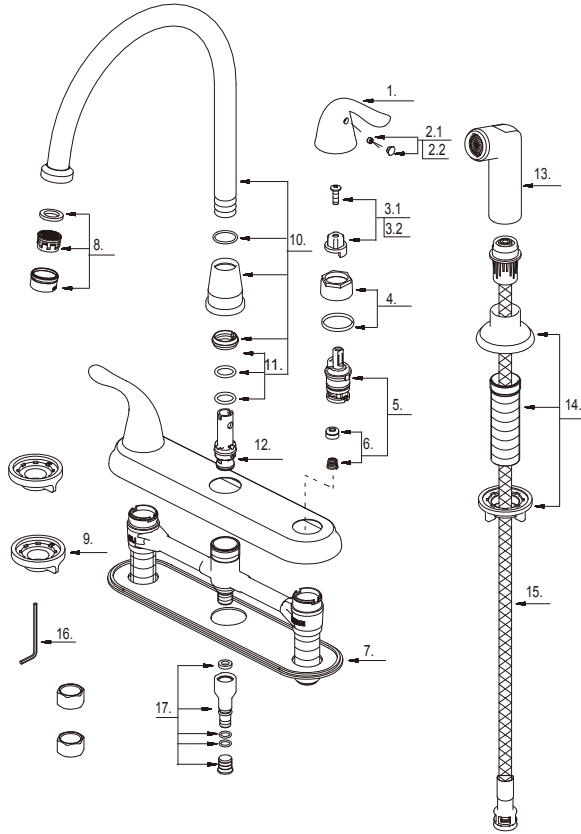
P4B-250CWJP
 P4B-260CWJP

P4B-250SSWJP
 P4B-260SSWJP



8" Two Handle Kitchen Faucet

| No. | Name | Part No. |
|-----|---|-----------|
| 1 | Metal Handle | A069115 |
| 2.1 | Index Button-Cold | A603595C |
| 2.2 | Index Button-Hot | A603595H |
| 3.1 | Handle Adaptor-Cold | A66D563C |
| 3.2 | Handle Adaptor-Hot | A66D563H |
| 4 | Retainer Nut & Washer | A66D630 |
| 5 | Cartridge Assembly | A663003 |
| 6 | Spring & Seat Set | A663002 |
| 7 | Putty Plate | A011003 |
| 8 | Aerator | A500872N |
| 9 | Lock Nut Set | A504023 |
| 10 | Spout Assembly | A666125N |
| 11 | Spout Seal Kit | A663044N |
| 12 | Spray Diverter w/Vacuum Breaker | A66G391 |
| 13 | Side Spray | A503002N |
| 14 | Spray Holder Assembly (3-15/16" L) | A220008 |
| 15 | Spray Hose | A512139N |
| 16 | Hex Wrench (H 2.5 * 19 mm L * 53 mm L) | A031000NI |
| 17 | Sealing Kit | A66G352N |



Product Spec Sheet