

## 4" Two Handle Lavatory Faucet



**Product Spec Sheet**

### FEATURES & BENEFITS

- This Product Contains Less Than 0.25% Weighted Average Lead Content On Wetted Surfaces
- Metal Lever Handles
- Washerless Cartridges
- With 50/50 Pop-up
- Max Flow Rate 1.2 GPM (4.5 L/MIN) At 60 PSI (ASME A112.18.1M/A112.18.1)

P4B-450CWJP  
Chrome Finish

P4B-450BNWJP  
Brushed Nickel Finish

### APPROVALS:

Meets or Exceeds The Following:

- \* ANSI/ASME A112.18.1M/A112.18.1
- \* NSF/ANSI 61 - Sec. 9
- \* NSF/ANSI 372
- \* IAPMO/cUPC
- \* CA AB1953



NSF/ANSI 372  
NSF/ANSI 61-9



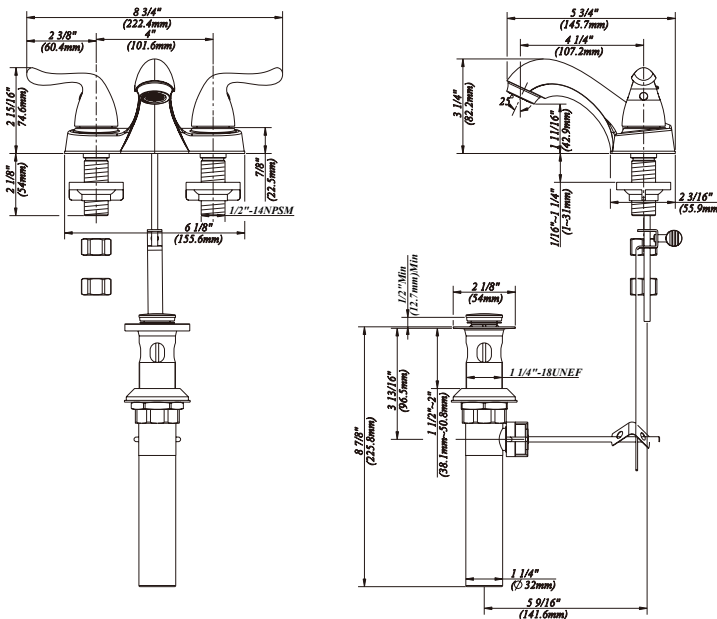
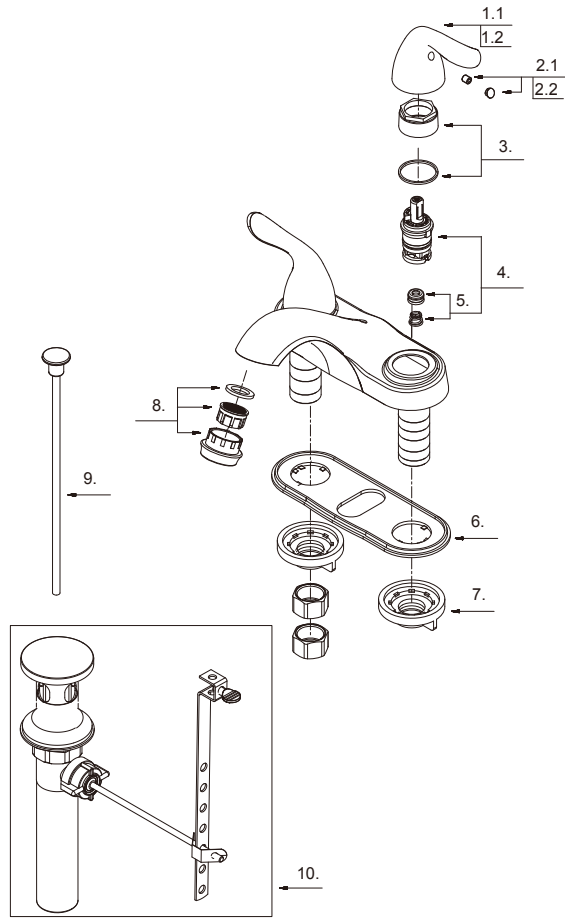
**TEL:** 855-806-0688

**FAX:** 845-350-4043

Visit Our Web Site : [www.plumb4orce.com](http://www.plumb4orce.com)

# 4" Two Handle Lavatory Faucet

| No. | Name                  | Part No.    |
|-----|-----------------------|-------------|
| 1.1 | Metal Handle-Cold     | A069439C    |
| 1.2 | Metal Handle-Hot      | A069439H    |
| 2.1 | Index Button-Cold     | A66G472C    |
| 2.2 | Index Button-Cold     | A66G472H    |
| 3   | Retainer Nut & Washer | A663631     |
| 4   | Cartridge Assembly    | A663003N-W  |
| 5   | Seat & Spring Set * 2 | A663002     |
| 6   | Putty Plate           | A011045     |
| 7   | Lock Nut Set          | A504023     |
| 8   | Aerator               | A500157N-51 |
| 9   | Lift Rod              | A025010     |
| 10  | Pop-up Assembly       | A556201     |



**Product Spec Sheet**