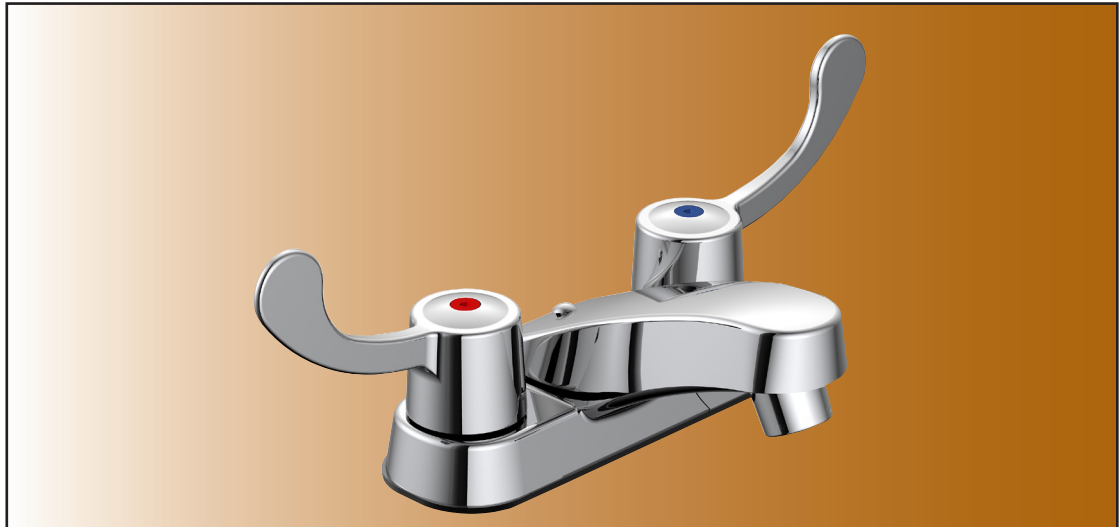


## **4" Two Handle Lavatory Faucet**



**Product Spec Sheet**

### **FEATURES & BENEFITS**

- This Product Contains Less Than 0.25% Weighted Average Lead Content On Wetted Surfaces
- Wrist Blade Handles
- Washerless Cartridges
- Max Flow Rate 1.2 GPM (4.5 L/MIN) At 60 PSI (ASME A112.18.1M/A112.18.1)

P4C-400CLB  
Less Pop-up  
Chrome Finish

### **APPROVALS:**

**Meets or Exceeds The Following:**

- \* ANSI/ASME A112.18.1M/A112.18.1
- \* NSF/ANSI 61 - Sec. 9
- \* NSF/ANSI 372
- \* IAPMO/cUPC
- \* CA AB1953



NSF/ANSI 372  
NSF/ANSI 61-9



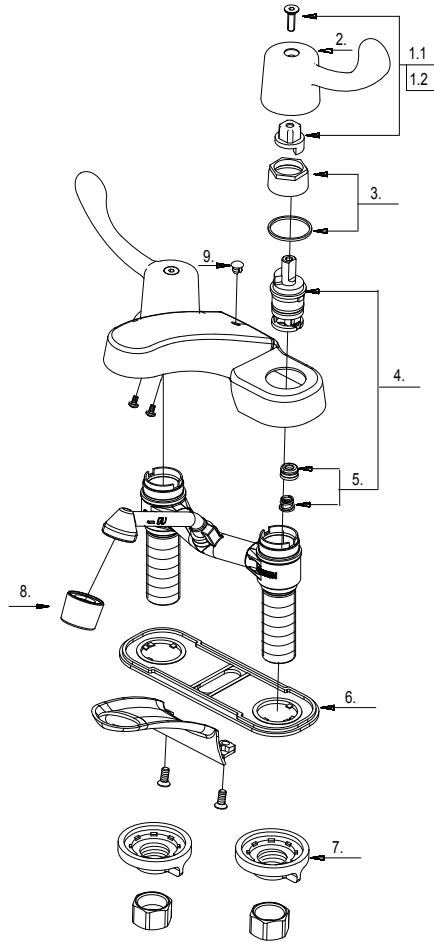
**TEL: 855-806-0688**

**FAX: 845-350-4043**

Visit Our Web Site : [www.plumb4orce.com](http://www.plumb4orce.com)

# 4" Two Handle Lavatory Faucet

No.	Name	Part No.
1.1	Handle Adaptor-Cold	A663306C
1.1	Handle Adaptor-Hot	A663306H
2	Metal Handle	A069796
3	Retainer Nut & Washer	A663631
4	Cartridge Assembly	A66D091N
5	Seat & Spring Set	A663002
6	Putty Plate	A011034
7	Lock Nut Set	A504023
8	Aerator	A500267N-64
9	Lift Rod Plug	A028002



# Product Spec Sheet

