

P4H-730C
 P4H-720BN
 P4H-720CJP

P4H-730BN
 P4H-730CJP
 P4H-720BNJP

P4H-720C
 P4H-730BNJP



Single Handle Tub & Shower Faucet

Product Spec Sheet



FEATURES & BENEFITS

- 3 Setting Fixed Showerhead
- Metal Lever Handle
- Washerless Pressure Blancing Valve
- Decorative Slip Fit Spout With Diverter
- Max Flow Rate 1.75 gpm (6.6 L/min) at 80 psi
- Min Flow Rate 1.3 gpm (4.92 L/min) at 45 psi (ASME A112.18.1M/A112.18.1)

APPROVALS:

Meets or Exceeds The Following:

- * ANSI/ASME A112.18.1M/A112.18.1
- * IAPMO/cUPC

P4H-730C
Tub & Shower Faucet
Chrome Finish

P4H-730BN
Tub & Shower Faucet
Brushed Nickel Finish

P4H-720C
Shower Only Faucet
Chrome Finish

P4H-720BN
Shower Only Faucet
Brushed Nickel Finish

P4H-730CJP
Trim Kit for Tub & Shower Faucet
Chrome Finish

P4H-730BNJP
Trim Kit for Tub & Shower Faucet
Brushed Nickel Finish

P4H-720CJP
Trim Kit for Shower Only Faucet
Chrome Finish

P4H-720BNJP
Trim Kit for Shower Only Faucet
Brushed Nickel Finish



* WaterSense Only On Models Containing Showerheads

TEL: 855-806-0688

FAX: 845-350-4043

Visit Our Web Site : www.plumb4orce.com

P4H-730C
 P4H-720BN
 P4H-720CJP

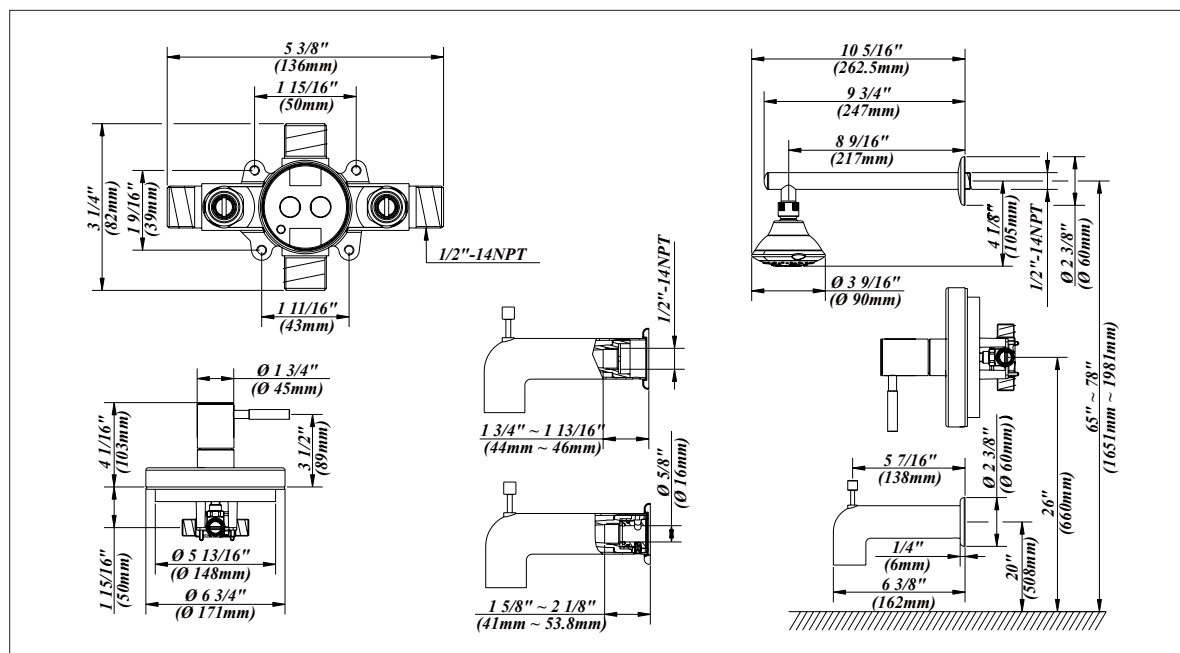
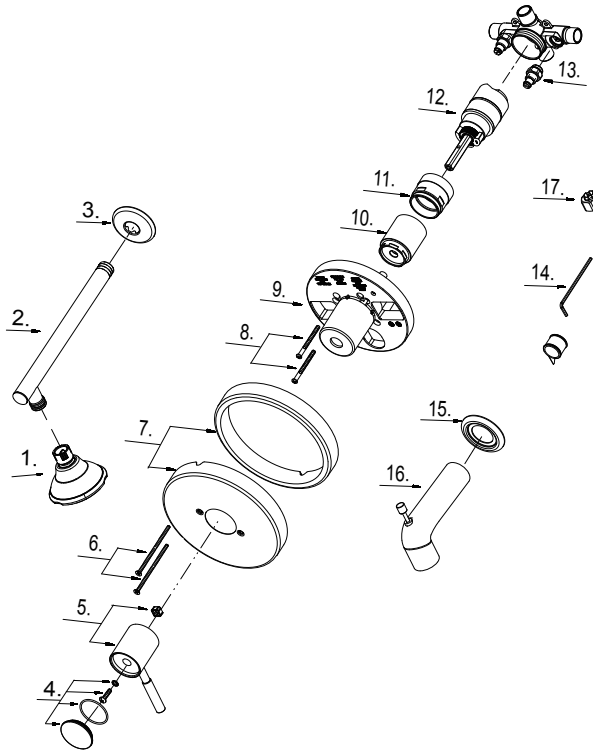
P4H-730BN
 P4H-730CJP
 P4H-720BNJP

P4H-720C
 P4H-730BNJP



Single Handle Tub & Shower Faucet

No.	Name	Part No.
1	Shower Head	S1233G02
2	Shower Arm	A604635
3	Shower Arm Flange	A019001
4	Handle Cap	A66D592
5	Metal Handle	A662098
6	Screw Set (3/16" -24 * 4" L)	A608563
7	Escutcheon Assembly	A667809
8	Screw Set (3/16" -24 * 2-3/16" L)	A608519
9	Plaster Guard	A127211KP
10	Sleeve	A103322
11	Retainer Nut	A103310
12	Washerless Cartridge Assembly	A507902
13	Check Valve	A603120
14	Hex Wrench (H3.18 *20 mm L * 90 mm L)	A031017NI
15	Spout Escutcheon	A303070
16	Spout W/Diverter	A523010
17	Plug	A028452



Product Spec Sheet

TEL: 855-806-0688 FAX: 845-350-4043

Visit Our Web Site : www.plumb4orce.com