

□ **P4V-100C**

□ **P4V-140C**



8" Single Handle Kitchen Faucet

Product Spec Sheet



FEATURES & BENEFITS

- This Product Contains Less Than 0.25% Weighted Average Lead Content On Wetted Surfaces
- Metal Lever Handle
- Stainless Steel Ball Valve
- With Black Side Spray
- Max Flow Rate 1.5 GPM (5.7 L/MIN) At 60 PSI (ASME A112.18.1M/A112.18.1)

P4V-140C
Chrome Finish

P4V-100C
Less Side Spray
Chrome Finish

APPROVALS:

Meets or Exceeds The Following:

- * ANSI/ASME A112.18.1M/A112.18.1
- * NSF/ANSI 61 - Sec. 9
- * NSF/ANSI 372
- * IAPMO/cUPC
- * CA AB1953



NSF/ANSI 372
NSF/ANSI 61-9



TEL: 855-806-0688

FAX: 845-350-4043

Visit Our Web Site : www.plumb4orce.com

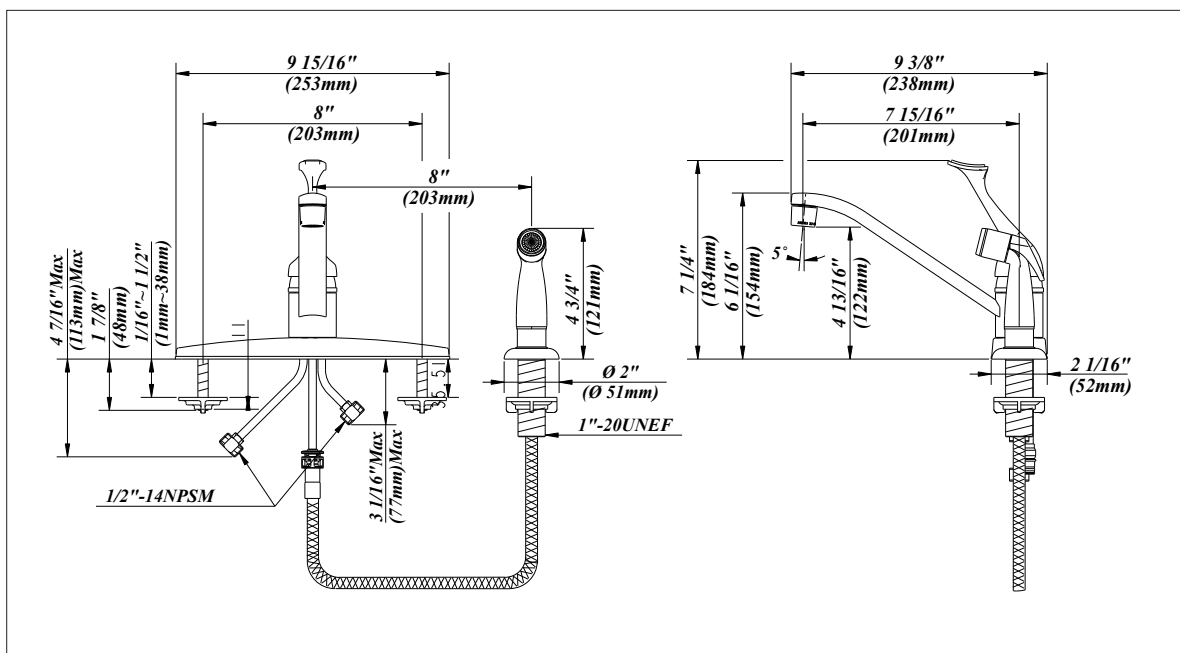
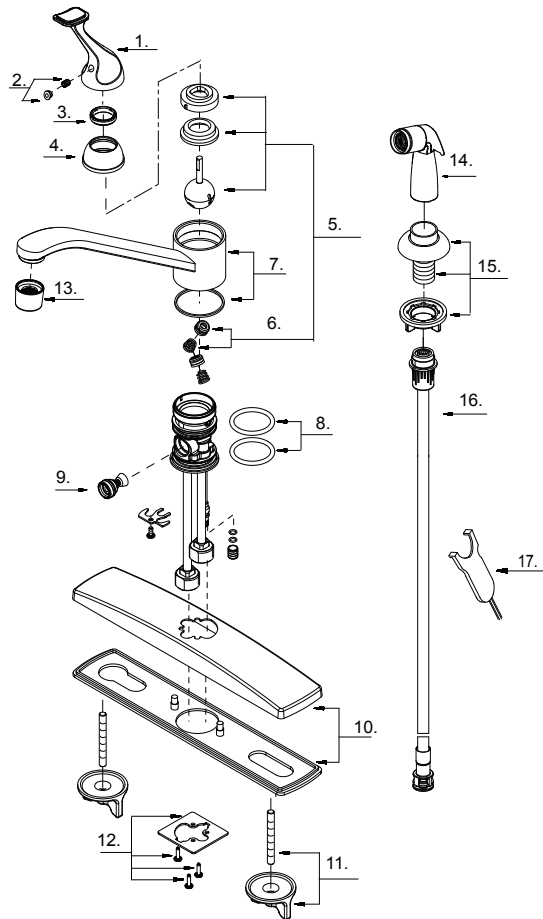
□ **P4V-100C**

□ **P4V-140C**



8" Single Handle Kitchen Faucet

No.	Name	Part No.
1	Metal Handle	A029003
2	Index Button-Cold/Hot	A66D567
3	Locking Nut	A104001
4	Trim Cap	A103022
5	Ball Valve Assembly	A66D641N
6	Seat & Spring Set	A663002
7	Spout Set	A66D589N
8	O-Ring Set ($\Phi 1-1/4"$ ID * $\Phi 1-1/2"$ OD)	A608220
9	Spray Diverter w/Vacuum Breaker	A501374N
10	Cover Plate & Putty Plate	A66F036-T
11	Mounting Hardware	A66G421
12	Base Mounting Hardware	A66G416-T
13	Aerator	A500871N
14	Side Spray	A503000N
15	Spray Holder Assembly (2-1/2" L)	A664255-P
16	Spray Hose	A512139NKP
17	Wrench	A031001NI



Product Spec Sheet