

8" Single Handle Kitchen Faucet



FEATURES & BENEFITS

P4V-130C
Chrome Finish

- This Product Contains Less Than 0.25% Weighted Average Lead Content On Wetted Surfaces
- Metal Lever Handle
- Stainless Steel Ball Valve
- With Black Spray On Deck
- Max Flow Rate 1.5 GPM (5.7 L/MIN) At 60 PSI (ASME A112.18.1M/A112.18.1)

APPROVALS:

Meets or Exceeds The Following:

- * ANSI/ASME A112.18.1M/A112.18.1
- * NSF/ANSI 61 - Sec. 9
- * NSF/ANSI 372
- * IAPMO/cUPC
- * CA AB1953



NSF/ANSI 372
NSF/ANSI 61-9



Product Spec Sheet

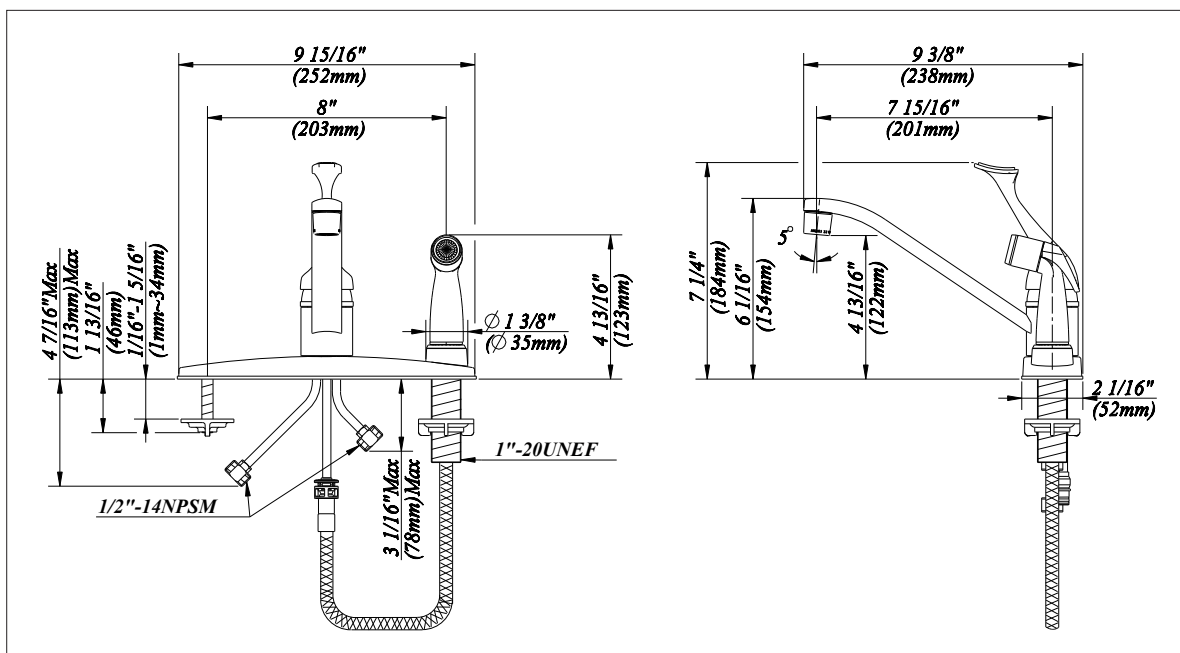
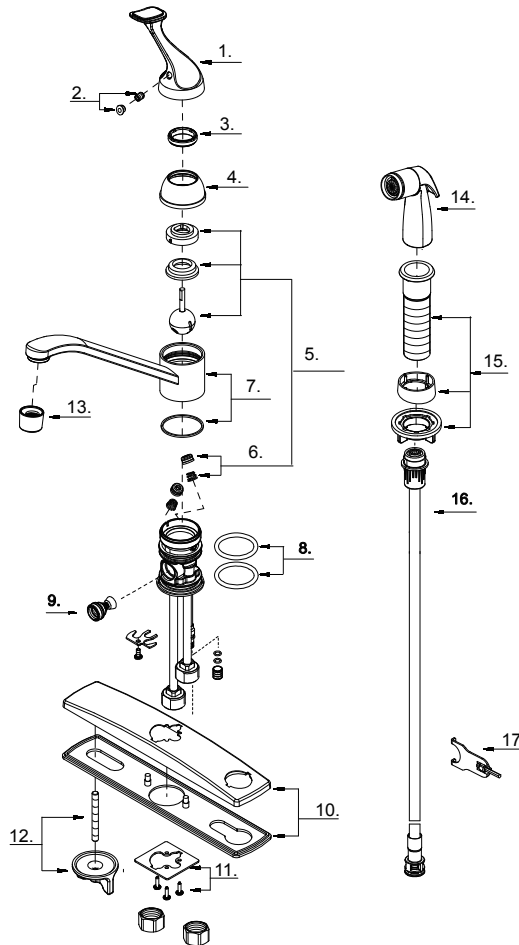
TEL: 855-806-0688

FAX: 845-350-4043

Visit Our Web Site : www.plumb4orce.com

8" Single Handle Kitchen Faucet

No.	Name	Part No.
1	Metal Handle	A029003
2	Index Button-Cold/Hot	A66D567
3	Lock Nut Set	A104001
4	Trim Cap	A103022
5	Ball Valve Assembly	A66D641N
6	Seat & Spring Set	A663002
7	Spout Set	A66D589N
8	O-Ring Set ($\Phi 1-1/4"$ ID * $\Phi 1-1/2"$ OD)	A608220
9	Spray Diverter w/Vacuum Breaker	A501374N
10	Putty Plate	A66F039-T
11	Base Mounting Hardware	A66G416-T
12	Mounting Hardware	A504225
13	Aerator	A500871N-51
14	Side Spray	A503000N
15	Spray Holder Assembly (3-5/16" L)	A66D875KP
16	Spray Hose	A512139NKP
17	Wrench	A031001NI



Product Spec Sheet