

4" Single Handle Lavatory Faucet

Product Spec Sheet



FEATURES & BENEFITS

P4V-502C
Chrome Finish

- This Product Contains Less Than 0.25% Weighted Average Lead Content On Wetted Surfaces
- Acrylic Round Handle
- Stainless Steel Ball Valve
- Brass Pop-up
- Max Flow Rate 1.2 GPM (4.5 L/MIN) At 60 PSI (ASME A112.18.1M/A112.18.1)

APPROVALS:

Meets or Exceeds The Following:

- * ANSI/ASME A112.18.1M/A112.18.1
- * NSF/ANSI 61 - Sec. 9
- * NSF/ANSI 372
- * IAPMO/cUPC
- * CA AB1953



NSF/ANSI 372
NSF/ANSI 61-9



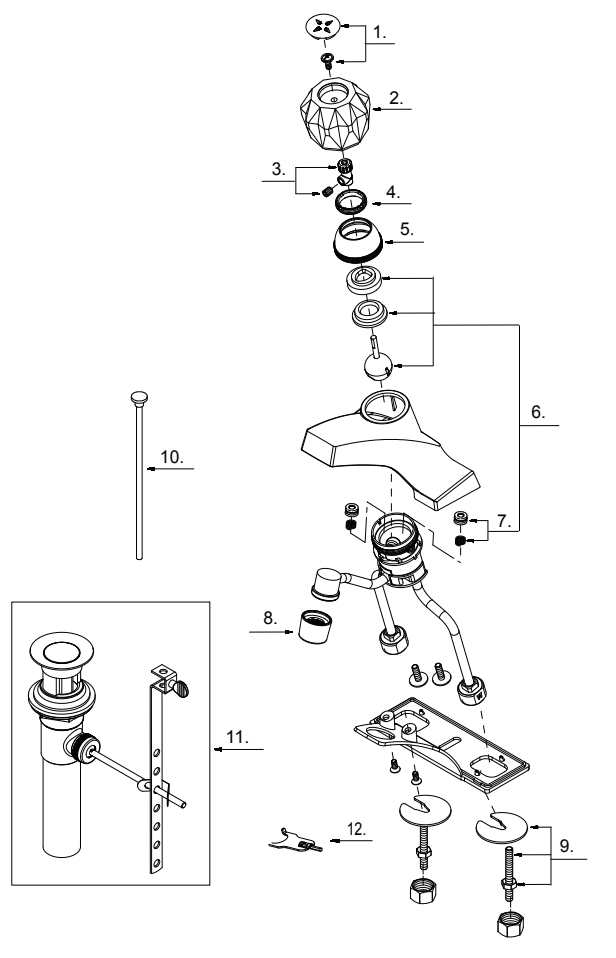
TEL: 855-806-0688

FAX: 845-350-4043

Visit Our Web Site : www.plumb4orce.com

4" Single Handle Lavatory Faucet

No.	Name	Part No.
1	Index Button-Cold/Hot	A66D566
2	Acrylic Handle	A029000
3	Handle Adaptor	A663024
4	Locking Nut	A104001
5	Trim Cap	A103022
6	Ball Valve Assembly	A66D641N
7	Seat & Spring Set	A663002
8	Aerator	A500267N-64
9	Mounting Hardware	A663638
10	Lift Rod	A025011
11	Pop-up Assembly	A556200
12	Wrench	A031001NI



Product Spec Sheet

