

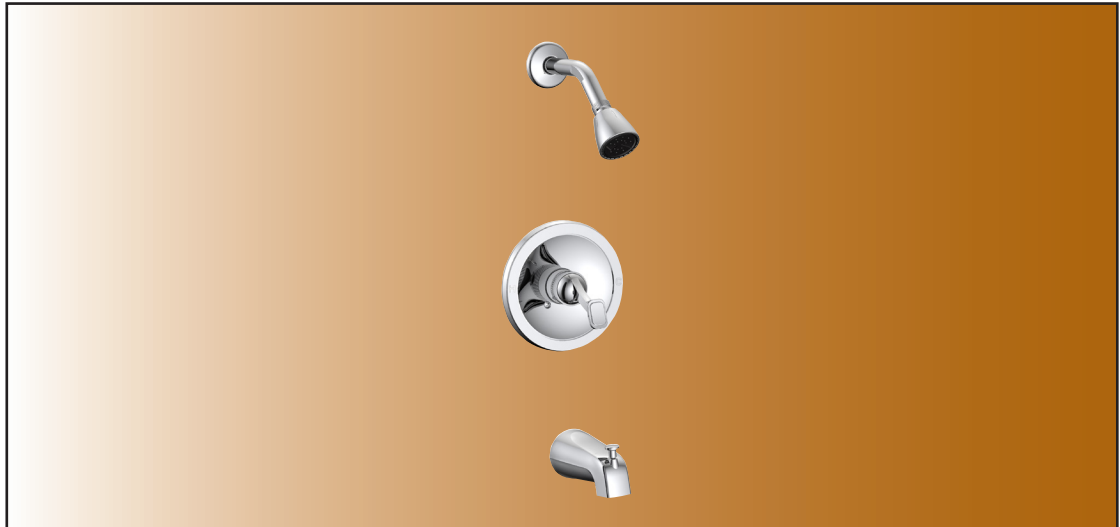
□ **P4V-770C**

□ **P4V-760C**



## **Single Handle Tub & Shower Faucet**

# Product Spec Sheet



### **FEATURES & BENEFITS**

- Metal Lever Handle
- Stainless Steel Ball Valve
- Non Pressure Balanced
- Diverter Spout
- Max Flow Rate 1.75 gpm (6.6 L/min) at 80 psi
- Min Flow Rate 1.3 gpm (4.92 L/min) at 45 psi (ASME A112.18.1M/A112.18.1)

P4V-770C  
Chrome Finish

P4V-760C  
Less Spout  
Chrome Finish

#### **APPROVALS:**

**Meets or Exceeds The Following:**

\* ANSI/ASME A112.18.1M/A112.18.1



\* WaterSense Only On Models Containing Showerheads

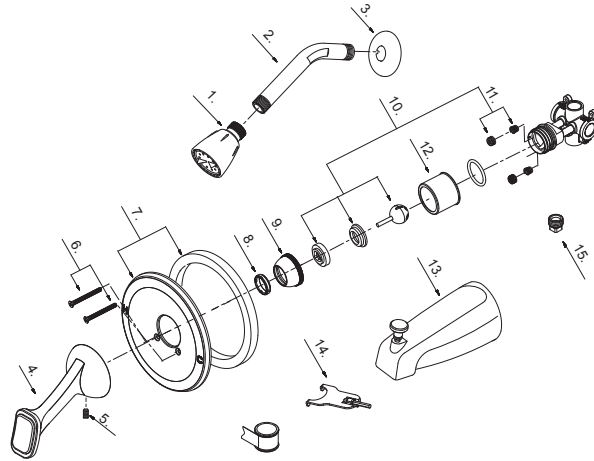
**TEL: 855-806-0688**

**FAX: 845-350-4043**

Visit Our Web Site : [www.plumb4orce.com](http://www.plumb4orce.com)

# Single Handle Tub & Shower Faucet

No.	Name	Part No.
1	Shower Head	S1213202
2	Shower Arm	A020002
3	Shower Arm Flange	A019001
4	Metal Handle	A029004
5	Screw (1/4" -28UNF * 5/16" L)	A008002
6	Screw Set (3/16" -24 * 2-15/16" L)	A668209
7	Escutcheon Assembly	A663637-S
8	Locking Nut	A104001
9	Trim Cap	A103000
10	Ball Valve Assembly	A66D641N
11	Seat & Spring Set	A663002
12	Sleeve	A217000
13	Spout W/Diverter	A100012
14	Wrench	A031001NI
15	Plug	A028004



# Product Spec Sheet

