

- P4B-150C** **P4B-150SS**
 P4B-150ORB

Single Handle Pullout Kitchen Faucet

Product Spec Sheet



FEATURES & BENEFITS

- This Product Contains Less Than 0.25% Weighted Average Lead Content On Wetted Surfaces
- Metal Lever Handle
- Ceramic Cartridge
- 1 Or 3 Hole Installation
- Optional Deck Plate Included
- Max Flow Rate 1.5 gpm (5.7 L/min) at 60 psi (ASME A112.18.1M/A112.18.1)

APPROVALS:

Meets or Exceeds The Following:

- * ANSI/ASME A112.18.1M/A112.18.1
- * NSF/ANSI/CAN 61 – Sec. 9: Q≤1
- * NSF/ANSI/CAN 372
- * IAPMO/cUPC
- * CA AB1953

P4B-150C
Chrome Finish

P4B-150SS
Stainless Steel Finish

P4B-150ORB
Oil Rubbed Bronze Finish



TEL: 855-806-0688

FAX: 845-350-4043

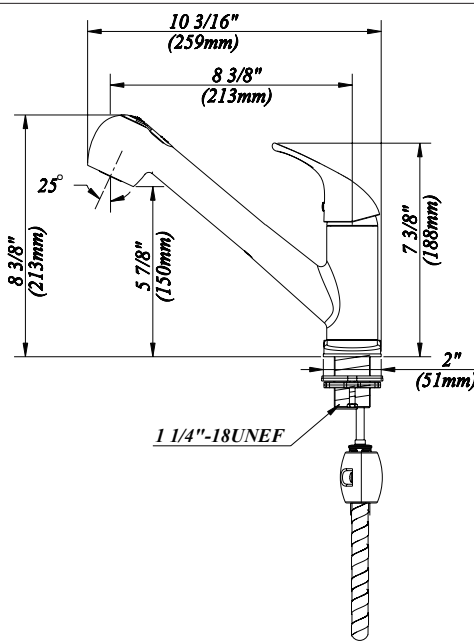
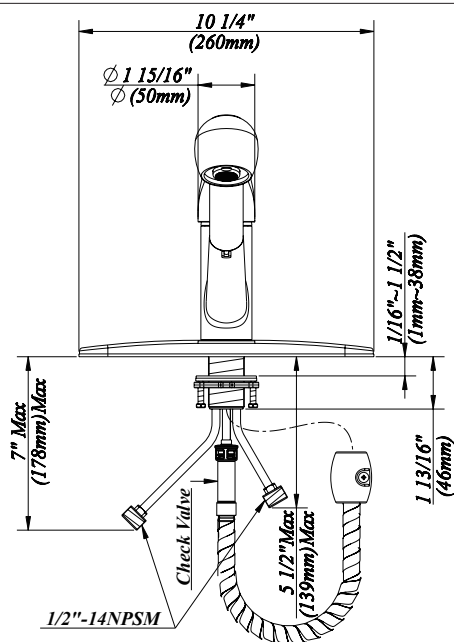
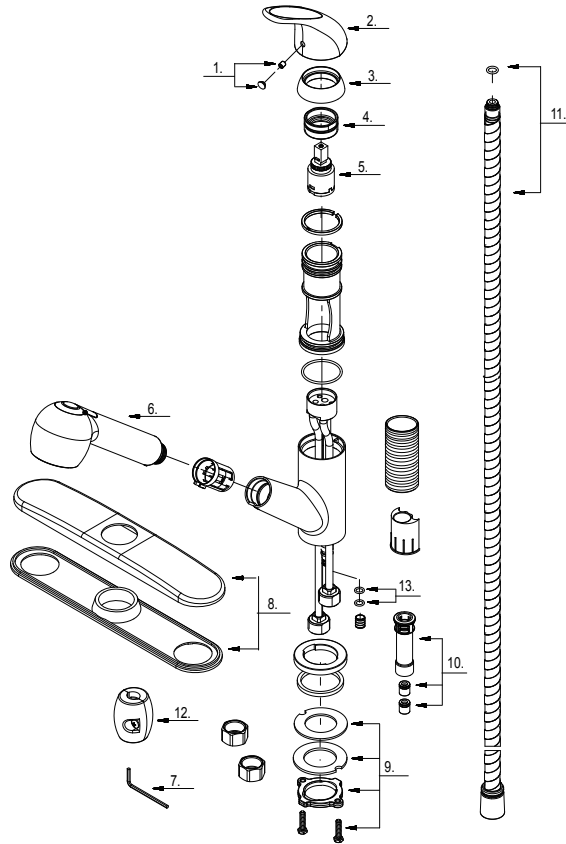
Visit Our Web Site : www.plumb4orce.com

P4B-150C **P4B-150SS**

P4B-150ORB

Single Handle Pullout Kitchen Faucet

No.	Name	Part No.
1	Index Button-Hot/Cold	A66D569
2	Metal Handle	A069795
3	Trim Cap	A103290-P
4	Locking Nut	A104049
5	Ceramic Disc Cartridge	A507906N
6	Handle Spray w/Check Valve	A523227N-51
7	Hex Wrench (H2.5 * 19 mm L * 53 mm L)	A031000NI
8	Cover Plate & Putty Plate	A667094
9	Mounting Hardware Assembly	A603171
10	Shank Adaptor Assembly	A66G142N
11	Spray Hose	A66D561N
12	Weight	A504718
13	O-Ring (Φ1/4" ID * Φ3/8" OD)	A668178N



Product Spec Sheet