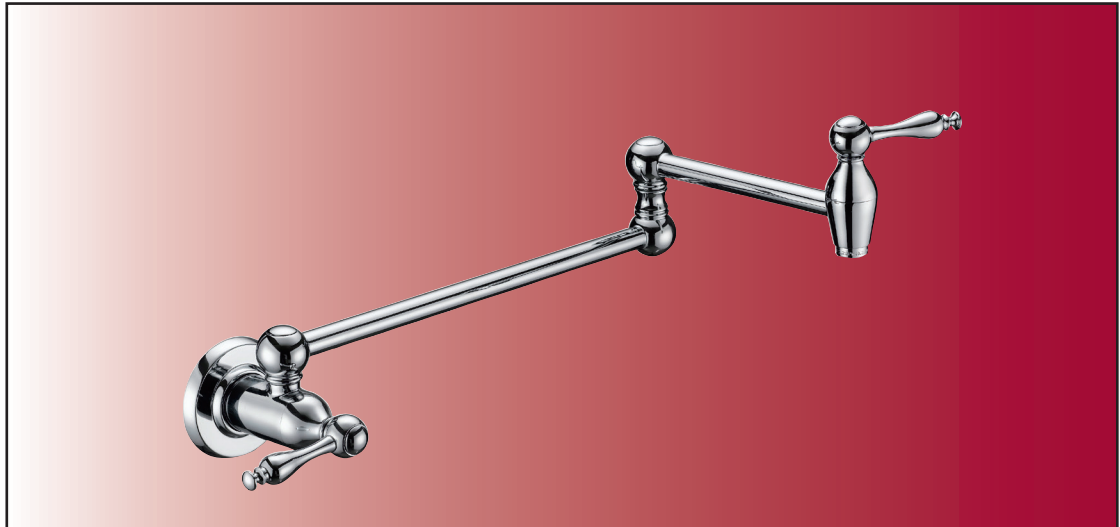


- P4B-190C** **P4B-190SS**
 P4B-190ORB



Single Handle Wall Mount Pot Filler Faucet



Product Spec Sheet

FEATURES & BENEFITS

- This Product Contains Less Than 0.25% Weighted Average Lead Content On Wetted Surfaces
- Metal Lever Handles
- Ceramic Cartridges
- Single Hole Wall Mount, Cold Water Only
- 24" Max Spout Reach
- Max Flow Rate 2.2 gpm (8.4 L/min) at 60 psi (ASME A112.18.1M/A112.18.1)

P4B-190C
Chrome Finish

P4B-190SS
Stainless Steel Finish

P4B-190ORB
Oil Rubbed Bronze Finish

APPROVALS:

Meets or Exceeds The Following:

- * ANSI/ASME A112.18.1M/A112.18.1
- * NSF/ANSI/CAN 61 – Sec. 9: Q≤1
- * NSF/ANSI/CAN 372
- * IAPMO/cUPC
- * CA AB1953



TEL: 855-806-0688

FAX: 845-350-4043

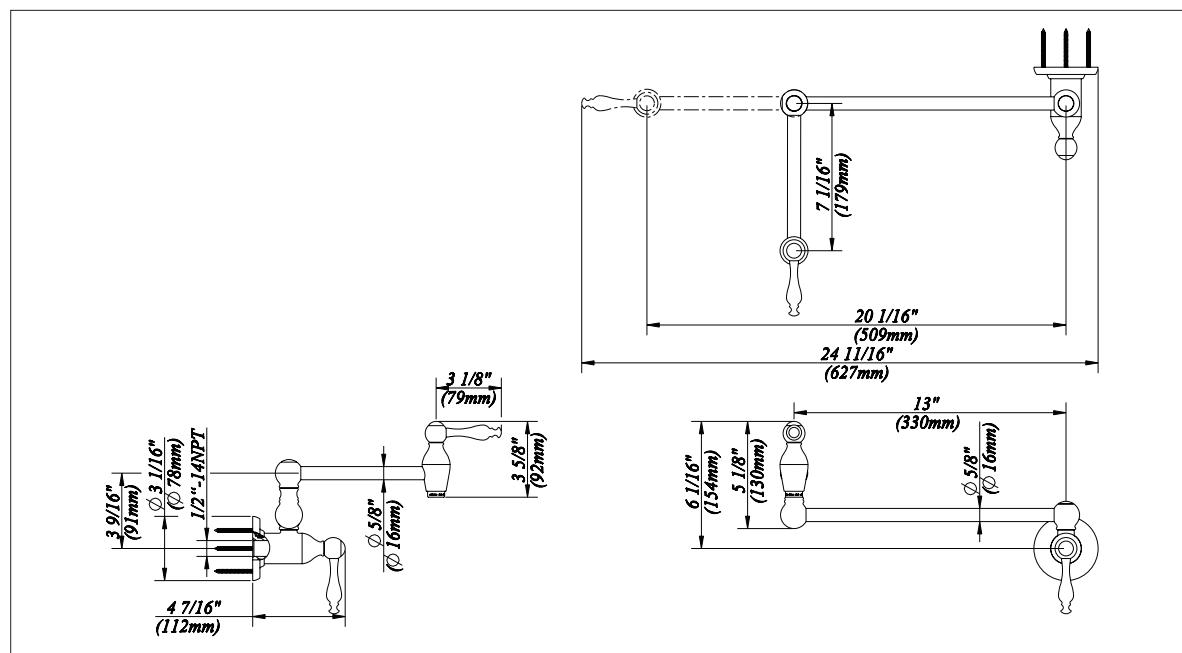
Visit Our Web Site : www.plumb4orce.com

P4B-190C **P4B-190SS**

P4B-190ORB

Single Handle Wall Mount Pot Filler Faucet

No.	Name	Part No.
1	Spout Cap	A66D162N
2	Support Nut Assembly	A66D926W
3	Handle Cap	A66E797
4	Metal Handle Assembly	A66E798
5	Ceramic Disc Cartridge	A507375W
6	Screw (M5 * 5mm L)	A008003
7	Base Trim Ring	A667729
8	Holding Hardware	A607377W
9	Metal Handle Assembly	A66E799
10	Aerator	A500771N-50
11	Hex Wrench (H2.5 * 19 mm L * 53 mm L)	A031000NI
12	Holding Hardware	A239535



Product Spec Sheet

TEL: 855-806-0688 FAX: 845-350-4043

Visit Our Web Site : www.plumb4orce.com