

**P4B-480C**  
 **P4B-4800RB**

**P4B-480BN**



## **6" - 12" Two Handle Widespread Lavatory Faucet**

# Product Spec Sheet



### **FEATURES & BENEFITS**

- This Product Contains Less Than 0.25% Weighted Average Lead Content On Wetted Surfaces
- Metal Lever Handles
- Ceramic Cartridges
- Brass Pop-up
- Max Flow Rate 1.2 GPM (4.5 L/MIN) At 60 PSI (ASME A112.18.1M/A112.18.1)

P4B-480C  
Chrome Finish

P4B-480BN  
Brushed Nickel Finish

P4B-4800RB  
Oil Rubbed Bronze Finish

### **APPROVALS:**

**Meets or Exceeds The Following:**

- \* ANSI/ASME A112.18.1M/A112.18.1
- \* NSF/ANSI 61 - Sec. 9
- \* NSF/ANSI 372
- \* IAPMO/cUPC
- \* CA AB1953



NSF/ANSI 372  
NSF/ANSI 61-9



**TEL: 855-806-0688**

**FAX: 845-350-4043**

Visit Our Web Site : [www.plumb4orce.com](http://www.plumb4orce.com)

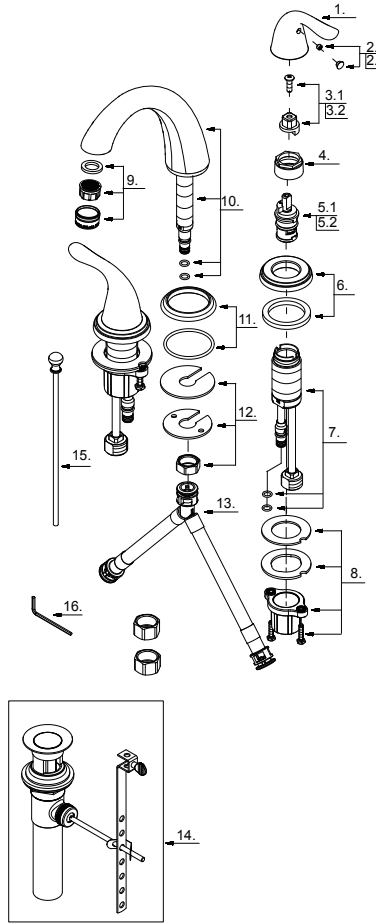
□ **P4B-480C**  
 □ **P4B-4800RB**

□ **P4B-480BN**

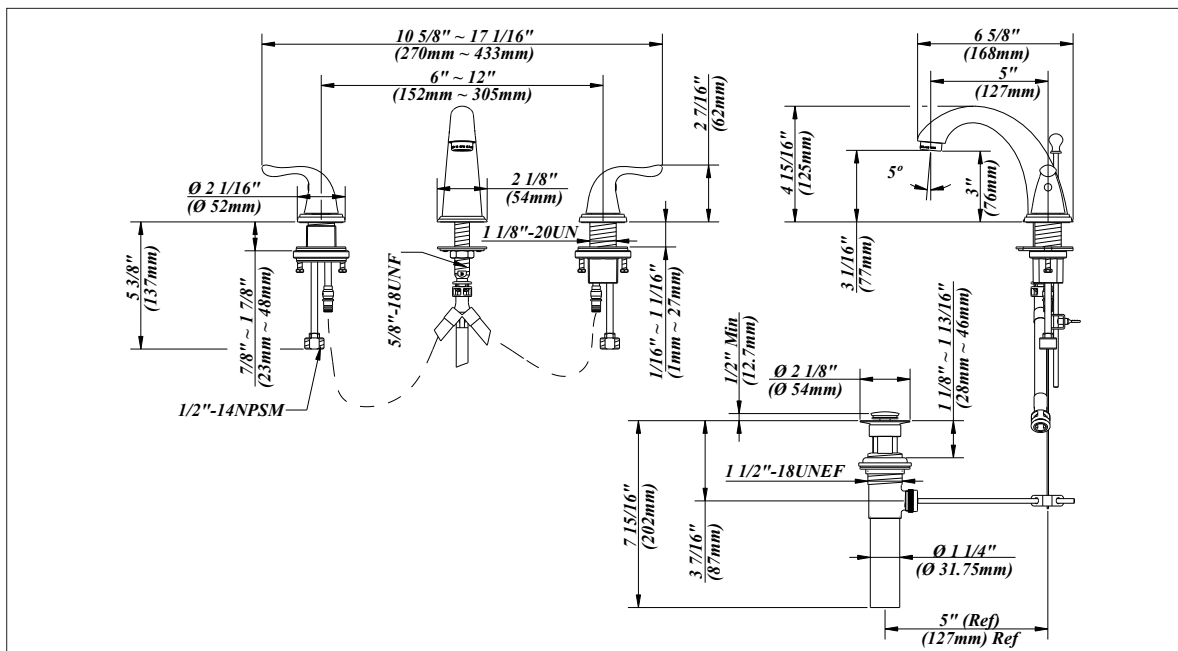


## 6" - 12" Two Handle Widespread Lavatory Faucet

No.	Name	Part No.
1	Metal Handle	A069115
2.1	Index Button-Cold	A603595C
2.2	Index Button-Hot	A603595H
3.1	Handle Adaptor-Cold	A66D574C
3.2	Handle Adaptor-Hot	A66D574H
4	Retainer Nut	A016003
5.1	Ceramic Disc Cartridge-Cold	A507104N
5.2	Ceramic Disc Cartridge-Hot	A507103N
6	Handle Trim Ring	A667826
7	Handle Valve Body	A661002W
8	Mounting Hardware Assembly	A66D656
9	Aerator	A500268N-64
10	Spout Assembly	A666779W
11	Spout Trim Ring	A667565
12	Mounting Hardware	A66D455
13	Supply Hose	A135141N
14	Pop-up Assembly	A556200L
15	Lift Rod	A025463
16	Hex Wrench	(H2.5 * 19 mm L * 53 mm L) A031000NI



**Product Spec Sheet**



TEL: 855-806-0688 FAX: 845-350-4043

Visit Our Web Site : [www.plumb4orce.com](http://www.plumb4orce.com)