

- P4C-400C**
- P4C-400BN**
- P4C-400CL**



## **4" Two Handle Lavatory Faucet**



# **Product Spec Sheet**

### **FEATURES & BENEFITS**

- This Product Contains Less Than 0.25% Weighted Average Lead Content On Wetted Surfaces
- Metal Wing Handles
- Washerless Cartridges
- Brass Pop-up
- Max Flow Rate 1.2 GPM (4.5 L/MIN) At 60 PSI (ASME A112.18.1M/A112.18.1)

P4C-400C  
Chrome Finish

P4C-400BN  
Brushed Nickel Finish

P4C-400CL  
Less Pop-up  
Chrome Finish

#### **APPROVALS:**

**Meets or Exceeds The Following:**

- \* ANSI/ASME A112.18.1M/A112.18.1
- \* NSF/ANSI 61 - Sec. 9
- \* NSF/ANSI 372
- \* IAPMO/cUPC
- \* CA AB1953



NSF/ANSI 372  
NSF/ANSI 61-9



**TEL: 855-806-0688**

**FAX: 845-350-4043**

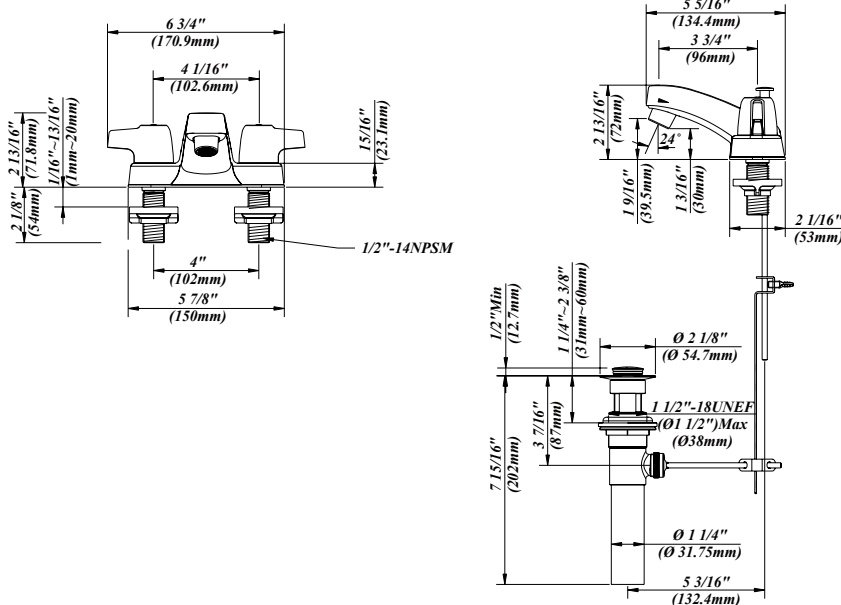
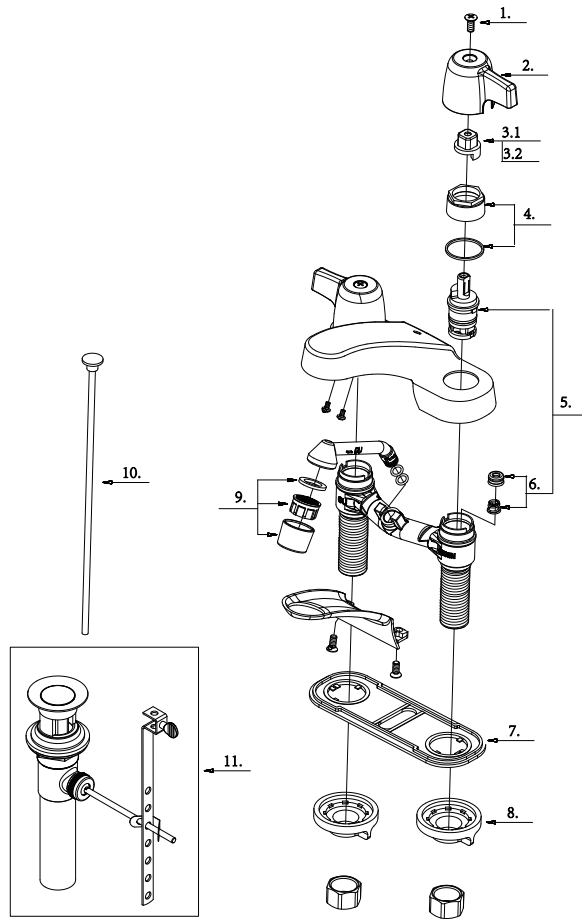
Visit Our Web Site : [www.plumb4orce.com](http://www.plumb4orce.com)

**P4C-400C**       **P4C-400BN**  
 **P4C-400CL**



# 4" Two Handle Lavatory Faucet

No.	Name	Part No.
1	Screw (3/16" -24 * 7/16" L)	A008049
2	Metal Handle	A069790
3.1	Handle Adaptor-Cold	A110039C
3.2	Handle Adaptor-Hot	A110039H
4	Retainer Nut & Washer	A663631
5	Cartridge Assembly	A66D636N
6	Seat & Spring Set	A663002
7	Putty Plate	A011034
8	Lock Nut Set	A504023
9	Aerator	A500267N-64
10	Lift Rod	A025028
11	Pop-up Assembly	A556200



**Product Spec Sheet**

**TEL: 855-806-0688      FAX: 845-350-4043**

**Visit Our Web Site : [www.plumb4orce.com](http://www.plumb4orce.com)**