

P4C-550CJP **P4C-550BNJP**



4" Single Handle Lavatory Faucet

Product Spec Sheet



FEATURES & BENEFITS

- This Product Contains Less Than 0.25% Weighted Average Lead Content On Wetted Surfaces
- Metal Lever Handle
- Washerless Cartridge
- With 50/50 Pop-up
- Max Flow Rate 1.2 gpm (4.5 L/min) at 60 psi

P4C-550CJP
Chrome Finish

P4C-550BNJP
Brushed Nickel Finish

APPROVALS:

Meets or Exceeds The Following:

- * NSF/ANSI/CAN 61 – Sec. 9: Q \leq 1
- * NSF/ANSI/CAN 372
- * IAPMO/cUPC
- * CA AB1953



NSF/ANSI/CAN 372
NSF/ANSI/CAN 61 & 9.0.1



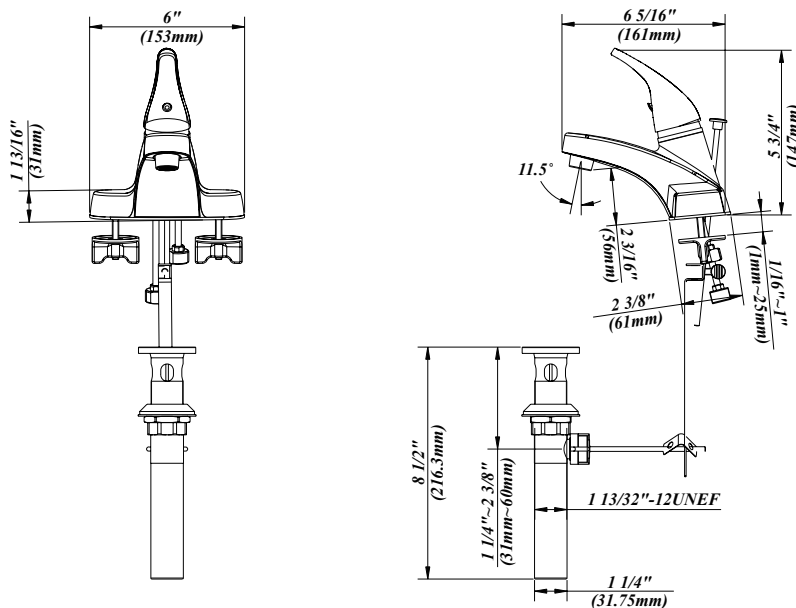
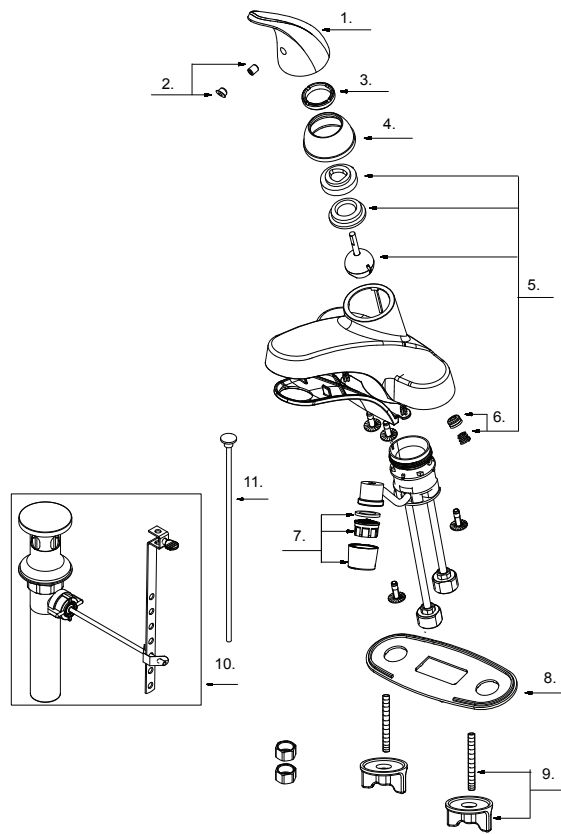
TEL: 855-806-0688

FAX: 845-350-4043

Visit Our Web Site : www.plumb4orce.com

4" Single Handle Lavatory Faucet

No.	Name	Part No.
1	Metal Handle	A069549
2	Index Button-Cold/Hot	A66D567
3	Locking Nut	A104001
4	Trim Cap	A103022
5	Ball Valve Assembly	A66D641N
6	Seat & Spring Set *2	A663002
7	Aerator	A500267N-55-P
8	Putty Plate	A011094
9	Mounting Hardware	A504036
10	Pop-up Assembly	A556201
11	Lift Rod	A025010



Product Spec Sheet