

Universal Pressure Balancing Valve Body

Product Spec Sheet



FEATURES & BENEFITS

- Washerless Cartridge
- Sweat & IPS Connections
- Less Stops

P4SR-799
Chrome Finish

APPROVALS:

Meets or Exceeds The Following:

- * ANSI/ASME A112.18.1
- * IAPMO/cUPC
- * ASSE 1016-2005



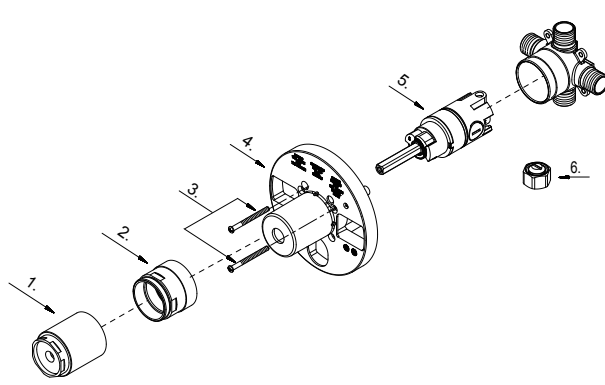
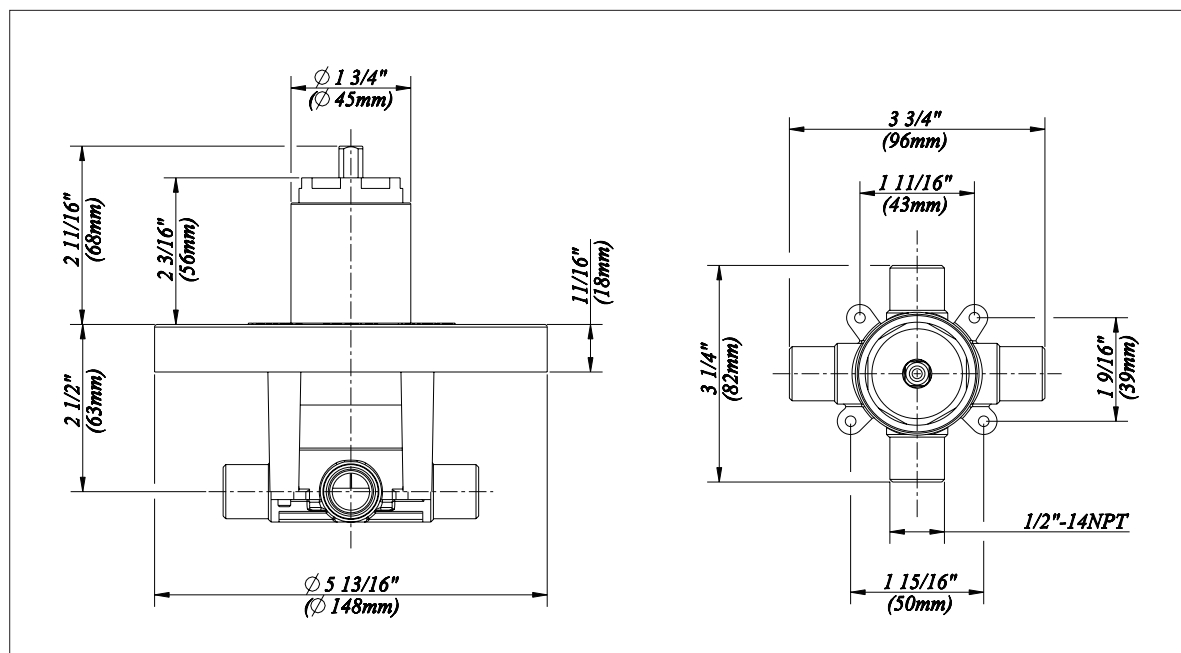
TEL: 855-806-0688

FAX: 845-350-4043

Visit Our Web Site : www.plumb4orce.com

Universal Pressure Balancing Valve Body

| No. | Name | Part No. |
|-----|--------------------------------------|----------|
| 1 | Sleeve | A103322 |
| 2 | Retainer Nut | A103310 |
| 3 | Screw Set (3/16" -24 * 2-3/16" L) | A608519 |
| 4 | Plaster Guard | A127007 |
| 5 | Washerless Cartridge Assembly | A507975 |
| 6 | Plug | A028452 |

Product Spec Sheet