

**P4V-242C**     **P4V-202C**



## **8" Two Handle Kitchen Faucet**

# **Product Spec Sheet**



### **FEATURES & BENEFITS**

- This Product Contains Less Than 0.25% Weighted Average Lead Content On Wetted Surfaces
- Acrylic Round Handles
- Washerless Cartridges
- With Black Side Spray
- Max Flow Rate 1.5 gpm (5.7 L/min) at 60 psi (ASME A112.18.1M/A112.18.1)

P4V-242C  
Chrome Finish

P4V-202C  
Less Side Spray  
Chrome Finish

#### **APPROVALS:**

**Meets or Exceeds The Following:**

- \* ANSI/ASME A112.18.1M/A112.18.1
- \* NSF/ANSI/CAN 61 – Sec. 9: Q≤1
- \* NSF/ANSI/CAN 372
- \* IAPMO/cUPC
- \* CA AB1953



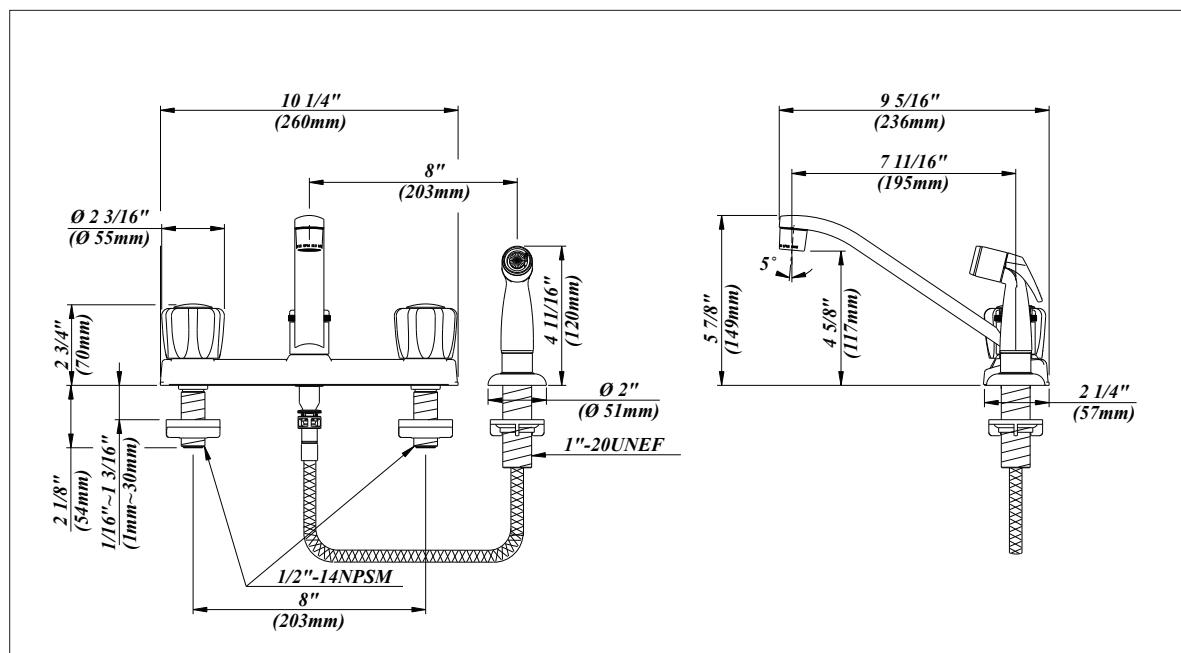
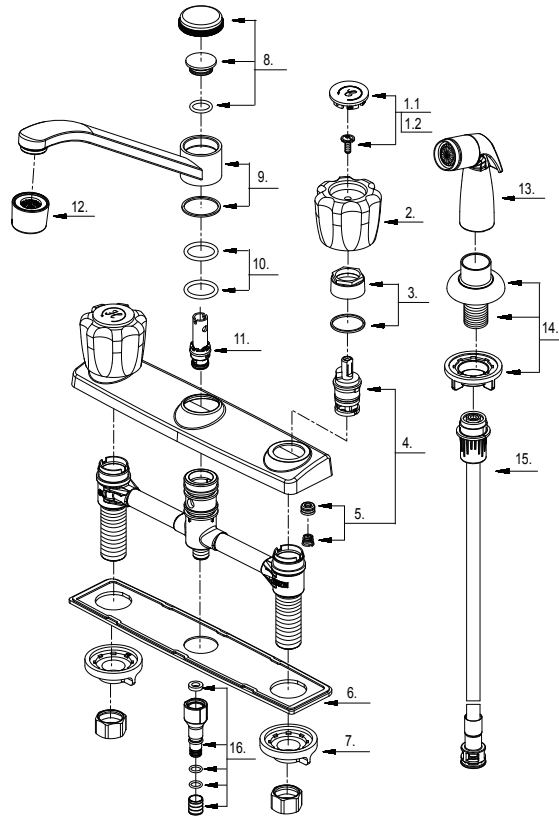
**TEL:** 855-806-0688

**FAX:** 845-350-4043

Visit Our Web Site : [www.plumb4orce.com](http://www.plumb4orce.com)

# 8" Two Handle Kitchen Faucet

No.	Name	Part No.
1.1	Index Button-Cold	A66E233C
1.2	Index Button-Hot	A66E233H
2	Acrylic Handle	A029001
3	Retainer Nut & Washer	A663631
4	Cartridge Assembly	A66D636N
5	Seat & Spring Set *2	A663002
6	Putty Plate	A011011
7	Lock Nut Set	A504023
8	Spout Trim Cap	A663023
9	Spout Set	A66D585N
10	O-Ring Set ( $\Phi 7/8$ " ID * $\Phi 1-1/8$ " OD)	A668000N
11	Spray Diverter w/Vacuum Breaker	A66G391
12	Aerator	A500871N-51
13	Side Spray	A503000N
14	Spray Holder Assembly (3-15/16" L)	A664255-P
15	Spray Hose	A512139NKP
16	Spout Seal Kit	A66G352N



**Product Spec Sheet**