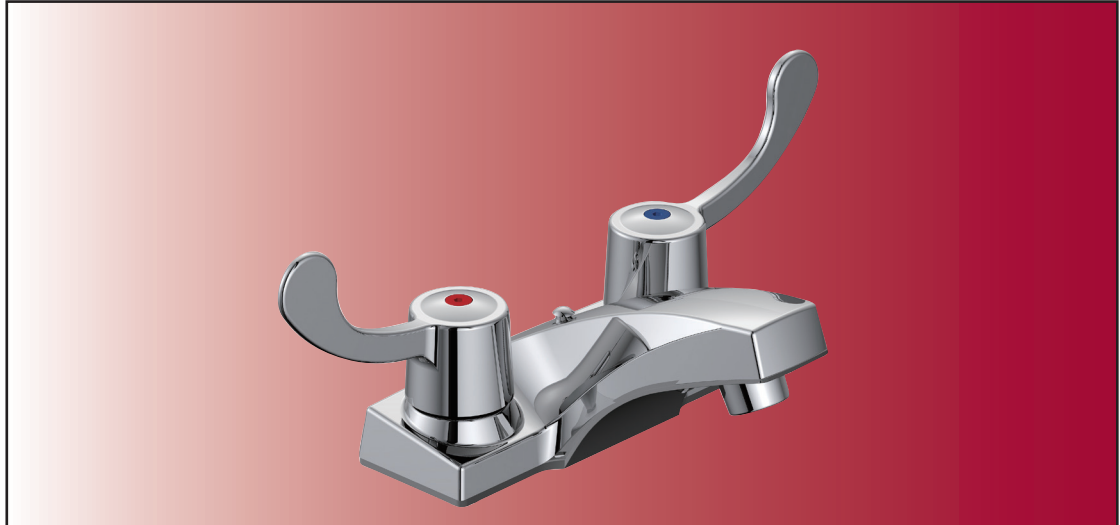


## **4" Two Handle Lavatory Faucet**

# **Product Spec Sheet**



### **FEATURES & BENEFITS**

- This Product Contains Less Than 0.25% Weighted Average Lead Content On Wetted Surfaces
- Wrist Blade Handles
- Washerless Cartridges
- Max Flow Rate 1.2 gpm (4.5 L/min) at 60 psi (ASME A112.18.1M/A112.18.1)

P4V-400CLB  
Less Pop-up  
Chrome Finish

#### **APPROVALS:**

**Meets or Exceeds The Following:**

- \* ANSI/ASME A112.18.1M/A112.18.1
- \* NSF/ANSI/CAN 61 – Sec. 9: Q≤1
- \* NSF/ANSI/CAN 372
- \* IAPMO/cUPC
- \* CA AB1953



NSF/ANSI/CAN 372  
NSF/ANSI/CAN 61-9.0-1



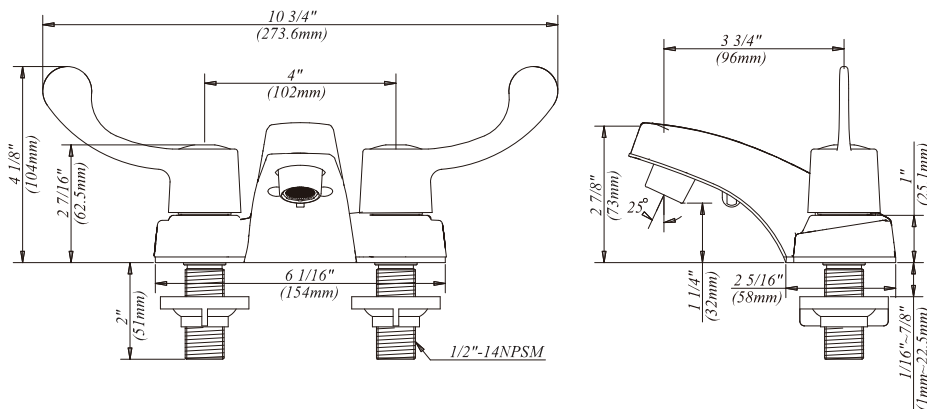
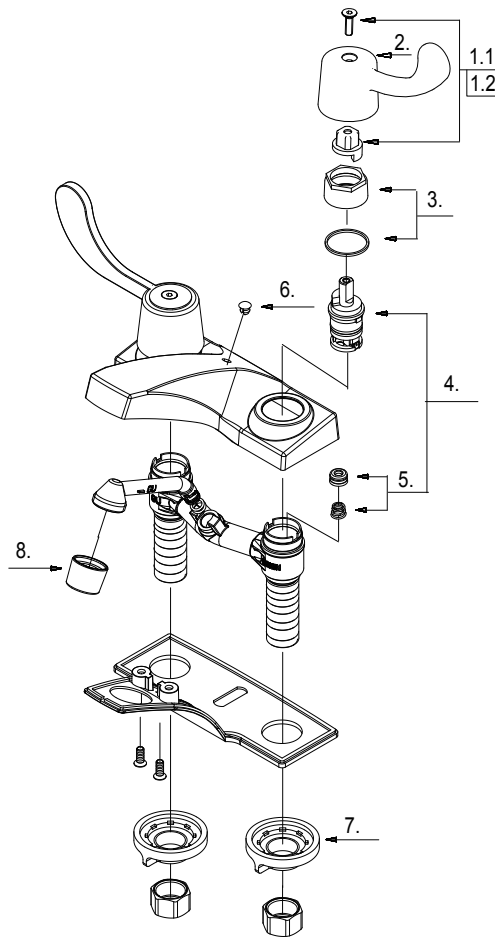
**TEL: 855-806-0688**

**FAX: 845-350-4043**

Visit Our Web Site : [www.plumb4orce.com](http://www.plumb4orce.com)

# 4" Two Handle Lavatory Faucet

No.	Name	Part No.
1.1	Handle Adaptor-Cold	A663306C
1.2	Handle Adaptor-Hot	A663306H
2	Metal Handle	A069796
3	Retainer Nut Assembly	A663631
4	Cartridge Assembly	A66D091N
5	Seat & Spring Set	A663002
6	Lift Rod Plug	A028002
7	Lock Nut Set	A504023
8	Aerator	A500267N-64



**Product Spec Sheet**