

# Single Handle Tub & Shower Faucet

# Product Spec Sheet



## FEATURES & BENEFITS

- Acrylic Round Handle
- Stainless Steel Ball Valve
- Non Pressure Balanced
- Diverter Spout
- Max Flow Rate 1.75 gpm (6.6 L/min) at 80 psi
- Min Flow Rate 1.3 gpm (4.92 L/min) at 45 psi (ASME A112.18.1M/A112.18.1)

P4V-772C  
Chrome Finish

### APPROVALS:

Meets or Exceeds The Following:

\* ANSI/ASME A112.18.1M/A112.18.1



\* WaterSense Only On Models Containing Showerheads

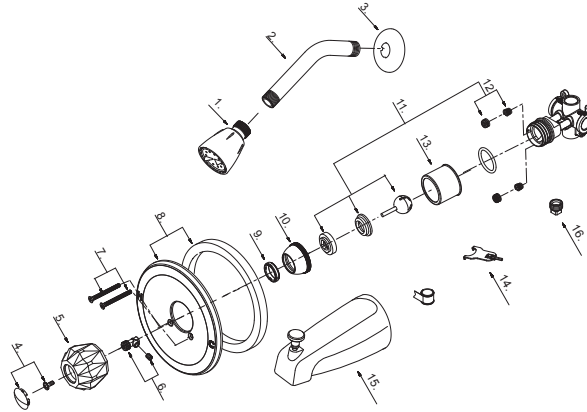
**TEL:** 855-806-0688

**FAX:** 845-350-4043

Visit Our Web Site : [www.plumb4orce.com](http://www.plumb4orce.com)

# Single Handle Tub & Shower Faucet

| No. | Name                                  | Part No.  |
|-----|---------------------------------------|-----------|
| 1   | Shower Head                           | S1213202  |
| 2   | Shower Arm                            | A020002   |
| 3   | Shower Arm Flange                     | A019001   |
| 4   | Index Button-Cold/Hot                 | A66D566   |
| 5   | Acrylic Handle                        | A029000   |
| 6   | Handle Adaptor                        | A663024   |
| 7   | Screw Set<br>(3/16" -24 * 2-15/16" L) | A668209   |
| 8   | Escutcheon Assembly                   | A663637-S |
| 9   | Locking Nut                           | A104001   |
| 10  | Trim Cap                              | A103000   |
| 11  | Ball Valve Assembly                   | A66D641N  |
| 12  | Seat & Spring Set                     | A663002   |
| 13  | Sleeve                                | A217000   |
| 14  | Wrench                                | A031001NI |
| 15  | Spout W/Diverter                      | A100012   |
| 16  | Plug                                  | A028004   |



# Product Spec Sheet

